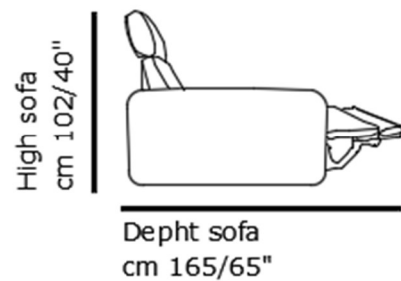
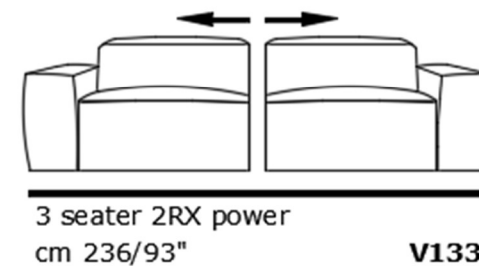
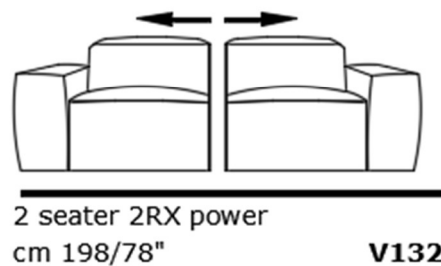
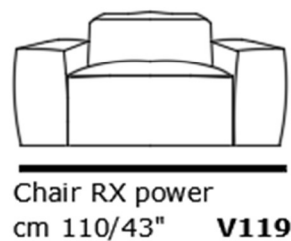
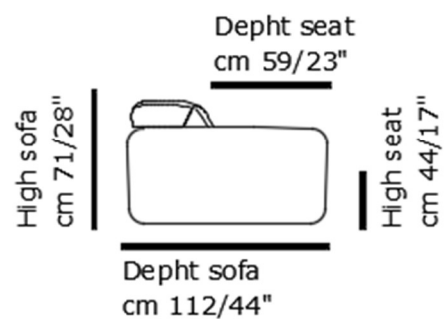


Technical Sheet for Retailers

MODEL GROTTA





INTERIORS

	Seat	Arms	Back
FOAM	✓	✓	✓
FIBERFILL			
FEATHER			

FRAME

% Particle board: 20%	% Multilayer: 30%	% Fir: 30%	% Masonite: 20%
-----------------------	-------------------	------------	-----------------

SUSPENSION SYSTEM

	Masonite	Spring	Notes
Seat:		✓	
Back:	✓		

OTHER ELEMENTS

Element	Fixed	Removable	Removable System	Notes
Seating cushions:	✓			
Arms:	✓			
Back:	✓			

FEET

Metal	Wooden	PVC
		✓